

BY SYNARGY®
SMART
COMFORT

DELTA

MASSAGE CHAIR



**QUICK START GUIDE &
OPERATING INSTRUCTIONS**

QUICK START GUIDE

1

Remove your shoes and sit into the chair. You can press down with your feet to extend the footrest length. It is recommended to use the massage chair without wearing jewellery or watches.

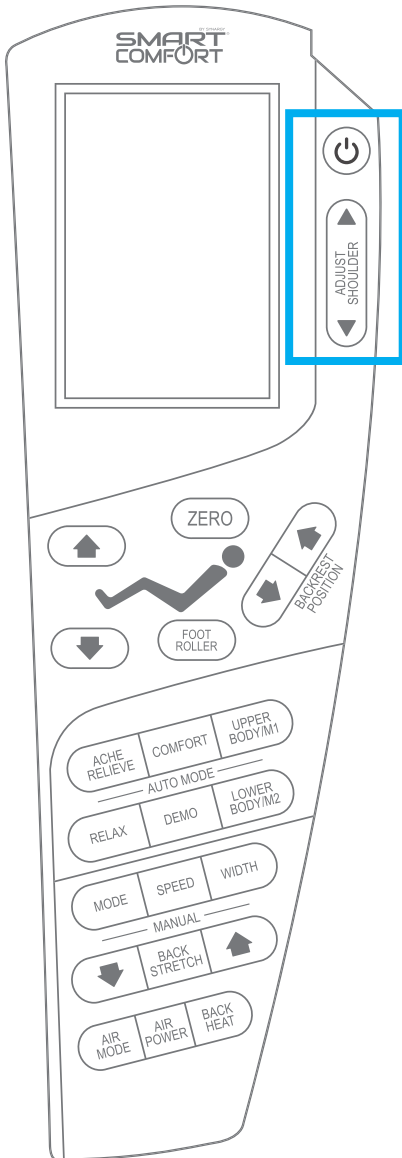
2

Press the power button on the remote control, and allow the chair 20-30 seconds to calibrate for your body size. Place your arms inside the arm rests.

3

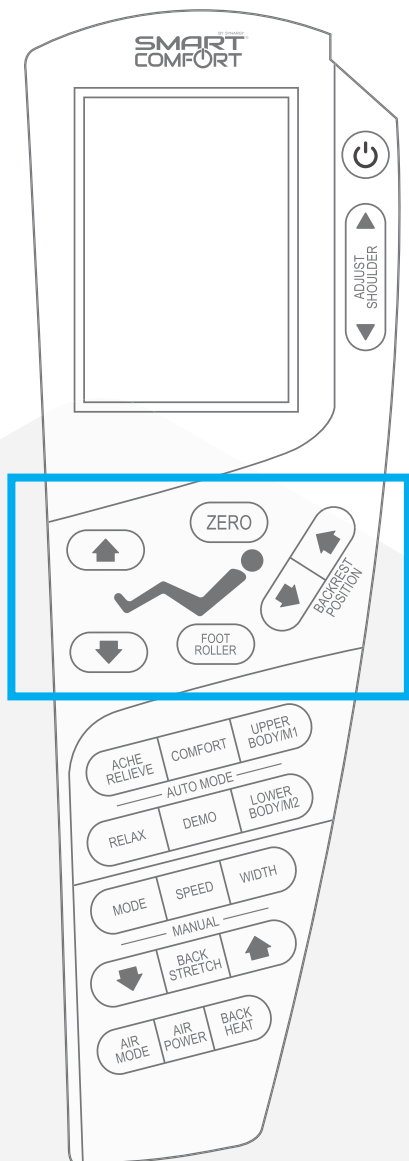
The chair will automatically enter an automatic massage mode if no buttons are pressed. You can enjoy this mode as it is, or read these operating instructions to learn about more advanced operation.

BASIC CONTROLS



- **Power button** turns the chair on & off. Wait 20-30 seconds for the chair to calibrate size and position, then select a mode on the remote control. The chair will automatically enter Comfort auto mode if no options are selected.
- **Adjust shoulder up & down arrows** adjust how far up the shoulders the rollers will travel during shoulder focused movements.

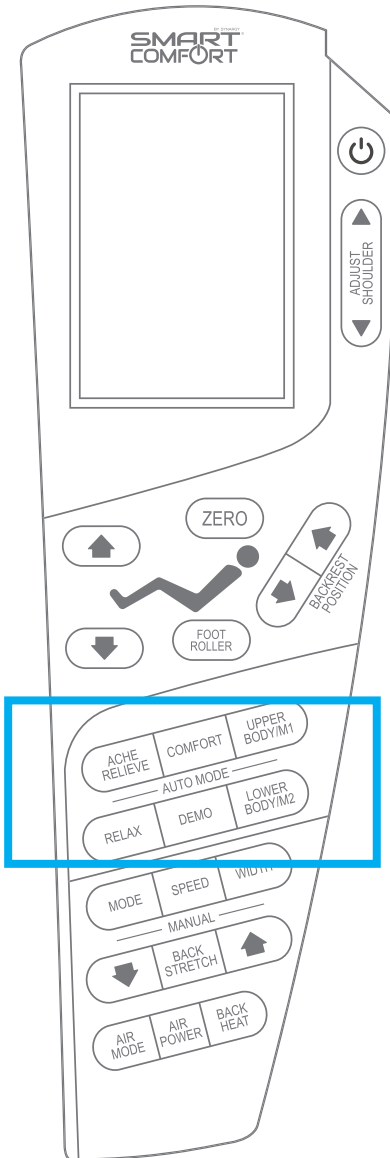
CHAIR POSITION CONTROLS



Used for selecting the position of the chair:

- **Zero button** moves the chair into zero gravity horizontal position
- **Up & down arrows** change the footrest height
- **Left & right arrows** adjust the backrest recline position
- **Foot roller button** switches the foot roller between 3 speeds (or off.)

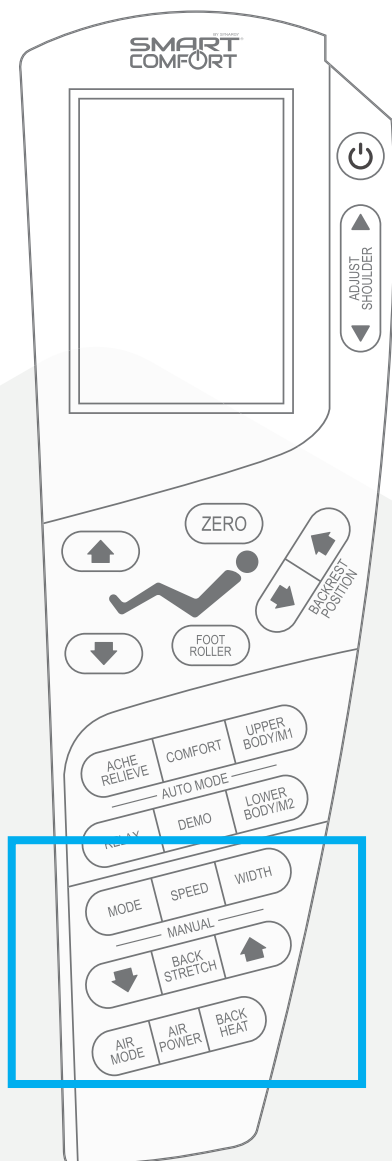
AUTOMATIC MODE CONTROLS



Used for selecting the following automatic massage modes:

- **Ache relieve** focuses primarily on the neck and shoulders
- **Comfort** is a gentle mode that targets the whole body
- **Upper body** focuses on the upper body
- **Relax** focuses mainly on lower back, legs & feet
- **Demo** is a full-body massage, using functions from all modes
- **Lower body** focuses on the lower body

MANUAL MODE & ADJUSTMENT CONTROLS



Used for controlling the following functions during manual operation:

- **Mode** changes massage techniques between the following, or off:



kneading



shiatsu



tapping



kneading + tapping



knocking

- **Speed** adjusts the speed of the massage rollers during manual modes
- **Width** adjusts the width between rollers during shiatsu, tapping or knocking modes

MANUAL MODE & ADJUSTMENT CONTROLS

- **Back stretch** toggles back massage modes between:



H0 fixed position back massage



H3 upper back massage



H1 short area back massage



H4 lower back massage



H2 entire back massage

- **The arrows** either side of back stretch can be held down to adjust the position of rollers during H0 and H1 back modes.
- **Air Mode** toggles airbag function between: arms, feet, arms + feet or off*
- **Air Power** adjusts the intensity of pressure from the airbags*
- **Back Heat** turns the infrared back heating on/off*

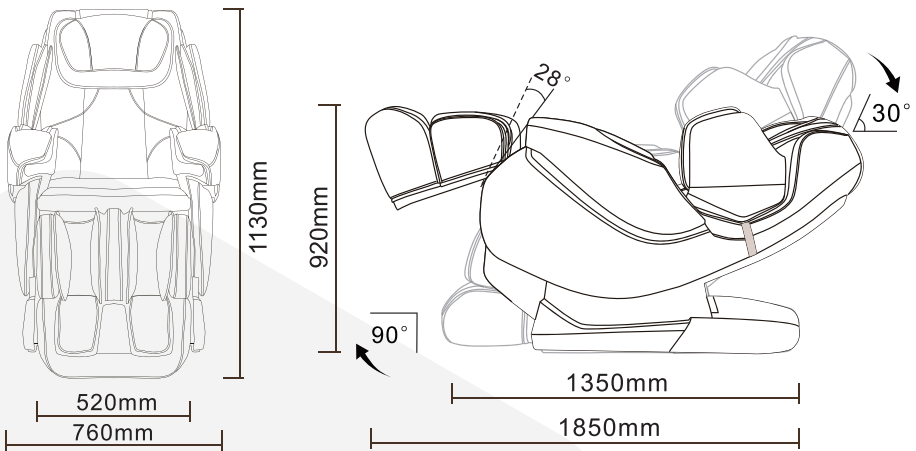
**can also be adjusted during automatic modes.*

MEMORY FUNCTION

To save the current massage settings, press the power button to turn the chair off, and press & hold **M1** or **M2** for 3 seconds while the screen is displaying “Memory.” When the chair is on, press and hold **M1** or **M2** for 3 seconds to load the saved massage settings.

(M1 and M2 share the same button as Upper Body and Lower Body.)

DELTA MASSAGE CHAIR



Keep at least 50mm of clear space between the chair backrest and nearby walls or furniture to ensure there is no contact with any items when chair is fully reclined.

Health and Safety Warnings: Do not drop or push anything into any slot of the machine. Please stop immediately and consult your doctor if you feel unwell when using this machine. Not intended for use by persons (including children) with reduced physical, sensory or mental capabilities, or lack of experience and knowledge, unless supervised. Do not use if you are pregnant, unwell, or have a pre-existing medical condition. Do not sit on the back, armrest, or the leg rest as it may result in damage or injury. Do not press or put your hands into the cloth cover of the massage hands.